

EL-O-Matic F-Series with Stainless Steel Pinion

AISI 316 Stainless Steel Pinion + Fasteners (A4-70)

Key features

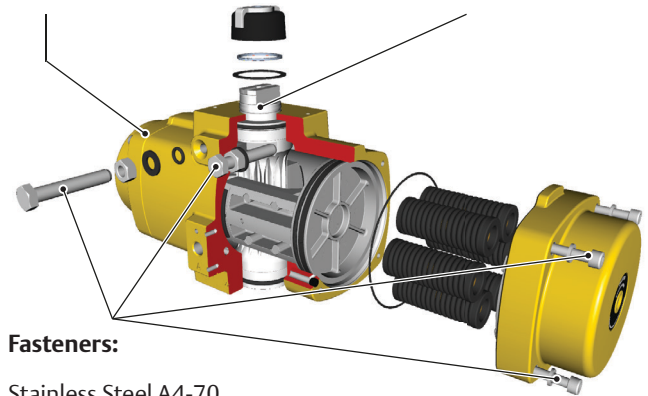
- Extended corrosion resistant properties for applications where the standard pinion material is not sufficient.
- AISI 316 grade Stainless Steel pinion material.
- A4-70 grade Stainless Steel fasteners.
- Available with parallel and diagonal square drive for ISO5211 or DIN3337 valve mounting.
- Typically, suitable for areas where standard aluminum pinions fail prematurely due to heavy corrosion, for instance protected areas on off-shore platforms.

Coating:

Polyurethane powder coating for exterior use (= default coating).

Pinion:

Stainless Steel
AISI 316



Fasteners:

Stainless Steel A4-70

Description

EL-O-Matic F-Series with AISI 316 Stainless Steel pinion and fasteners (A4-70) offers an extended corrosion resistance in environments where standard actuators with aluminium pinions might fail prematurely due to higher corrosion levels.

AISI 316 grade Stainless Steel pinion material

Stainless Steel 316 has excellent corrosion resistance when exposed to a range of corrosive environments and media. It is usually regarded as “marine grade” Stainless Steel.

A4-70 Grade Stainless Steel fastener material

A4 Grade fasteners are made of AISI 316 Stainless Steel and comes with the same excellent corrosion resistance as the pinion material.

As such actuators with AISI 316 Stainless Steel pinions and fasteners can be used in very corrosive environments like near sea shore plants or protected areas on off-shore platforms.

Technical data:

Coating:	Polyurethane powder coating for exterior use (= default coating).
Color:	Yellow (RAL 1007)
Corrosion resistance:	1000 hr, ASTM B117
Max. Temperature:	-20 ° to + 80 °C (-4 °F to +176 °F)
Materials Housing:	Aluminum alloy, chromated
Pinion:	Stainless Steel AISI 316
Fasteners:	Stainless Steel A4-70
Type Sticker:	Polyester
Application:	Optional on EL-O-Matic F-Series actuators.
Dimensions:	See Page 2

Availability:

- When ordering the optional AISI 316 Stainless Steel pinion, the actuator will also be equipped with the Stainless Steel A4-70 grade fasteners.
- The optional A4-70 grade Stainless Steel fasteners can also be ordered as an individual upgrade feature on default actuators.
- For actuator model string definition of these options see Data Sheet EFG.02.01.EN

Dimension for actuators with Stainless Steel pinions

Actuators with the Stainless Steel pinions are not suitable for the use of drive inserts. The pinions of these actuators are fitted with 2 drive squares (rotated at 45°) in the pinion bottom. These drive squares are according ISO5211.

All the other actuator dimensions are the same. Please refer to:

- EFM.04.01.EN for Metric ISO units
- EFD.04.01.EN for Metric DIN units (with center plate)
- EFL.04.01.EN for Imperial ISO units

For the drive square dimensions of the Stainless Steel pinions, see below drawing and table.

Dim. in	Drive square dimensions Stainless Steel pinions											
mm	25	40	65	100	150	200	350	600	950	1600	2500	4000
S1 Max.	11.08	14.08	14.08	19.13	22.11	22.11	27.11	27.11	36.16	46.16	46.16	55.19
S1 Min.	11.00	14.00	14.00	19.00	22.00	22.00	27.00	27.00	36.00	46.00	46.00	55.00
S2^{+0.5}	14.4	18.5	18.5	22.5	22.5	28.5	36.5	36.5	48.2	60.2	60.2	72.2
S3	17	17	17	20	28	28	30	31	40.5	53.5	53.5	61.5
S4	27	27	27	27	40	40	38	38	50.5	65.5	65.5	76.5
S5	15	19	19	23	23	29	37	37	48.8	60.8	60.8	72.8

Dim. in	Drive square dimensions Stainless Steel pinions											
inches	25	40	65	100	150	200	350	600	950	1600	2500	4000
S1 Max.	0.436	0.554	0.554	0.753	0.870	0.870	1.067	1.067	1.424	1.817	1.817	2.173
S1 Min.	0.433	0.551	0.551	0.748	0.866	0.866	1.063	1.063	1.417	1.811	1.811	2.165
S2^{+0.02}	0.57	0.73	0.73	0.89	0.89	1.12	1.44	1.44	1.90	2.37	2.37	2.84
S3	0.67	0.67	0.67	0.79	1.1	1.1	1.18	1.22	1.59	2.11	2.11	2.42
S4	1.06	1.06	1.06	1.06	1.57	1.57	1.50	1.50	1.99	2.58	2.58	3.01
S5	0.59	0.75	0.75	0.91	0.91	1.14	1.46	1.46	1.92	2.39	2.39	2.87

